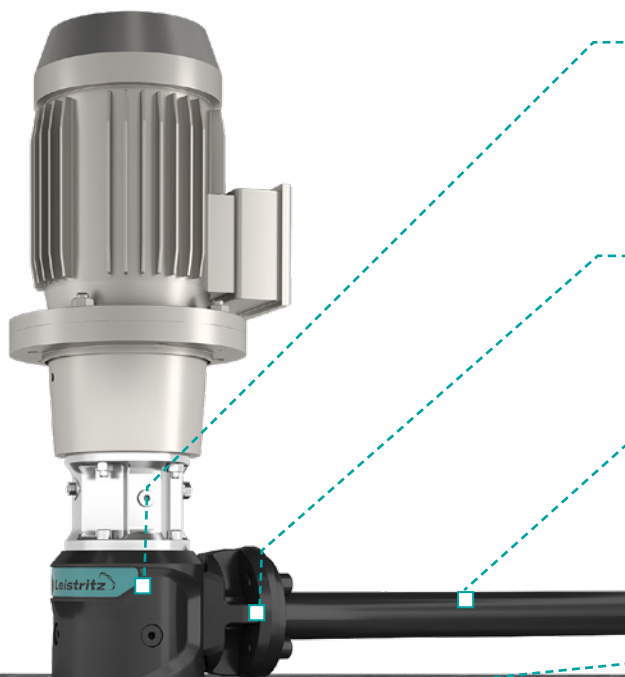


## FLEXCORE Series

## Maximum Flexibility

### Case study: Installation on a Tank

Thanks to the unique **modularity of its housing** and the **patented pump insert**, the FLEXCORE pump can adapt easily to any installation position and standard. **That reduces installation costs.** In this case the pump is installed on a tank via a standard conduit tank plate which offers considerable advantages compared to conventional installations.



1

#### Fully accessible pump

Pump is outside of the tank with suction tube inside.

2

#### Fits always

DIN, ASME or SAE flange possible.

3

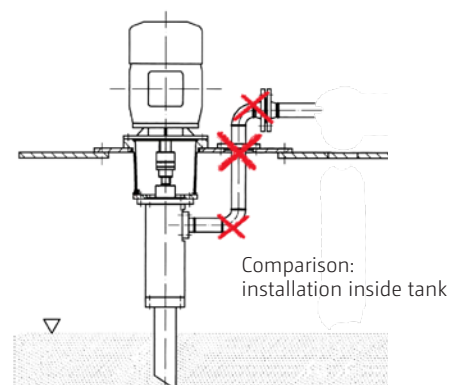
#### Lower costs

No additional pipe work: discharge flange connection is outside of the tank

4

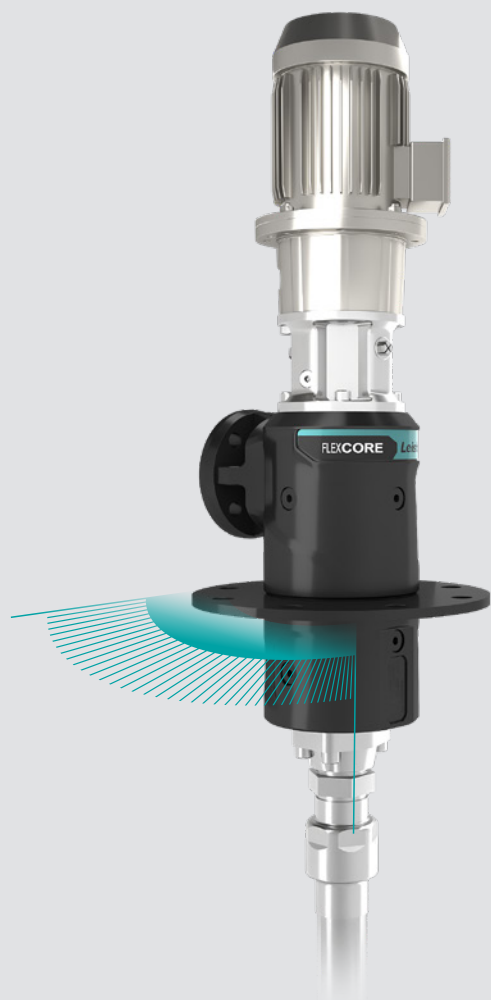
#### Standardized design

- ↗ Conduit tank plate with DIN flange pattern
- ↗ Suitable for flat tank geometries



# FLEXCORE

For the highest standard.



## FLEXCORE Series

Flow rates	6 flow rate categories between 7 - 564 l/min
Viscosity	1.1 to 2,500 mm <sup>2</sup> /s
Operating temperature	-10 to 180 °C
Differential pressure	1 to 40 bar
Suction pressure	max. 8 bar

Made in  
Germany

API  
compliant

<sup>1)</sup>

**Leistritz Pumpen GmbH**  
Markgrafenstrasse 36-39  
90459 Nuremberg  
Germany

For more information  
and orders:  
**+49 911 4306-9690**  
**flexcore@leistritz.com**

Scan the code and  
download FLEXCORE  
info package  
(including CAD data)  
**flexcore.leistritz.com**



<sup>1)</sup> according to API deviation list